

REMS Akku-Press ACC Ni-Cd

Teilverzeichnis

Aktueller Stand
siehe www.rems.de

Spare parts list

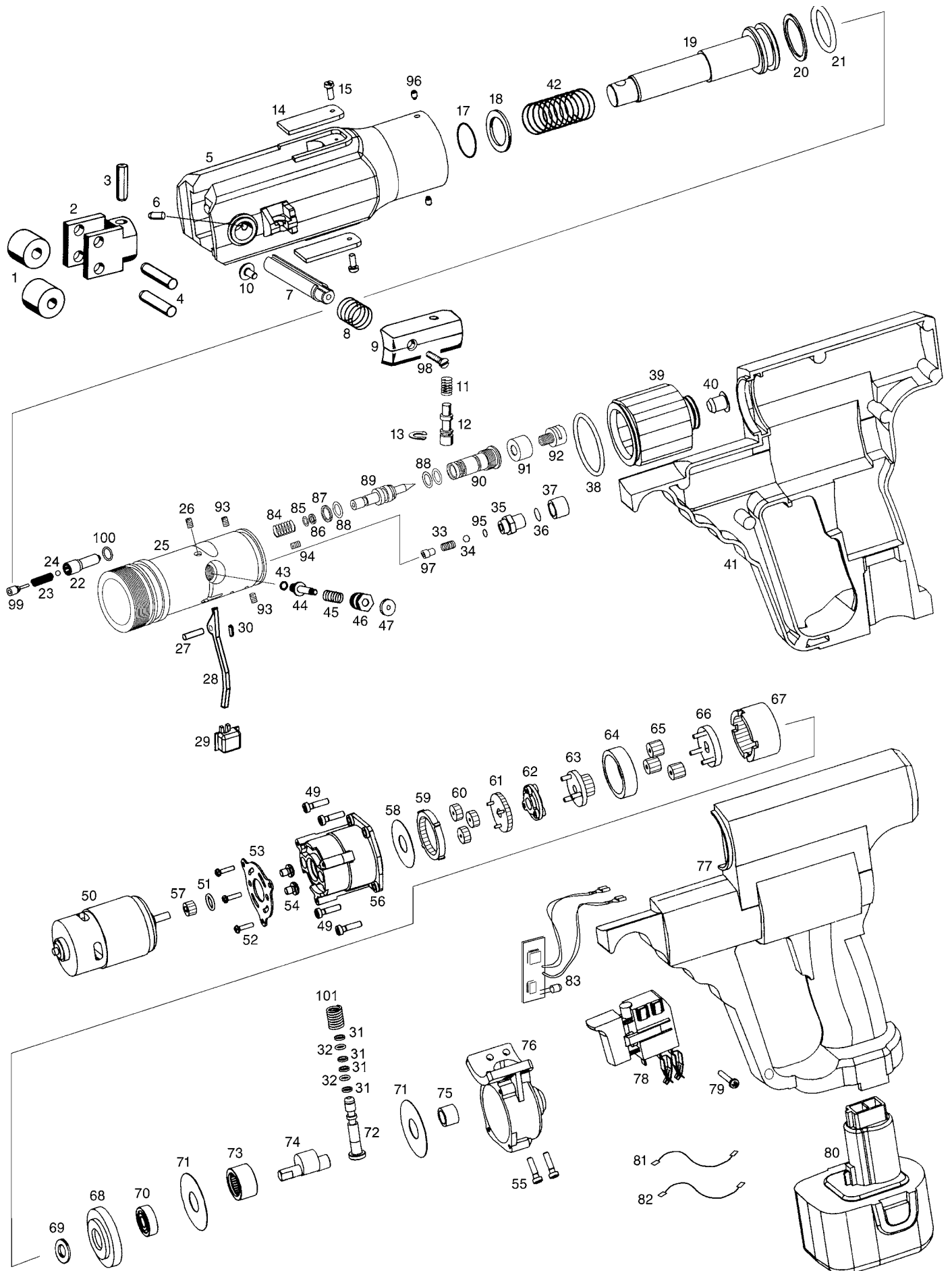
Latest version
see www.rems.de

Liste des pièces

Situation actuelle
voir www.rems.de

Elenco dei pezzi

Ultimo aggiornamento
vedi www.rems.de



REMS Akku-Press ACC Ni-Cd

| deu | eng | fra | ita | | |
|------|---|--|--|---|-----------|
| 1–21 | siehe REMS Akku-Press Ni-Cd | see REMS Akku-Press Ni-Cd | voir REMS Akku-Press Ni-Cd | vedi REMS Akku-Press Ni-Cd | |
| — | Ersatz Ventil Druckseite Pos. 22–24, 99, 100 | Valve pressure side Pos. 22–24, 99, 100 | Soupape coté pression Pos. 22–24, 99, 100 | Valvola lato di pressione Pos. 22–24, 99, 100 | 571278R |
| — | Hydraulikblock ACC kompl. Pos. 20–26, 33–40, 43–47, 84–95, 97, 99 und 100 | Hydraulic block ACC compl. Pos. 20–26, 33–40, 43–47, 84–95, 97, 99 and 100 | Bloc hydraulique ACC compl. Pos. 20–26, 33–40, 43–47, 84–95, 97, 99 et 100 | Blocco idraulico ACC compl. Pos. 20–26, 33–40, 43–47, 84–95, 97, 99 e 100 | 571275 |
| 27 | Zylinderstift | Straight pin | Tige cylindrique | Spina cilindrica | 088189 |
| 28 | Hebel | Lever | Levier | Leva | 571268R |
| 29 | Betätigungsknopf | Actuating button | Bouton d'actionnement | Pulsante d'azionamento | 571214R |
| 30 | Spiralspannstift | Spiral pin | Goupille spiralée | Spina elastica | 088120 |
| 31 | Stützring | Back-up ring | Bague d'appui | Rondella d'appoggio | 060264 |
| 32 | O-Ring | Locking ring | Joint torique | Guarnizione O-Ring | 060258 |
| 33 | Druckfeder | Pressure spring | Ressort de compression | Molla di compressione | 061049 |
| 34 | Stahlkugel | Steel ball | Bille d'acier | Sfera di acciaio | 057046 |
| — | Ventil Saugseite Pos. 33–37, 95 und 97 | Valve suction side Pos. 33–37, 95 and 97 | Valve coté aspiration Pos. 33–37, 95 et 97 | Valvola lato d'aspirazione Pos. 33–37, 95 e 97 | 571239R |
| 38 | O-Ring | Locking ring | Joint torique | Guarnizione O-Ring | 060015 |
| 39 | Ausgleichsbehälter | Compensating reservoir | Reservoir de compensation | Contentitore di compensazione | 571212R |
| 40 | Stopfen mit Stabmagnet | Plug with magnet | Bouchon avec magnet | Tappo con calamita | 571249R |
| — | Gehäuseschalen Pos. 41 und 77 | Housing shells Pos. 41 and 77 | Coquille carcasse Pos. 41 et 77 | Calotta carcassa Pos. 41 e 77 | 571503R |
| 42 | Druckfeder | Pressure spring | Ressort de compression | Molla di compressione | 571265R |
| 43 | O-Ring | Locking ring | Joint torique | Guarnizione O-Ring | 060241 |
| — | Überdruckventil Pos. 43 – 47 | Valve body Pos. 43 – 47 | Corps de soupape Pos. 43 – 47 | Corpo valvola Pos. 43 – 47 | 571228 |
| 49 | Linsenschraube | Fillister head screw | Vis tête fraisée bombée | Vite a testa svasata con perno | 083137 |
| — | Motor kompl. Pos. 50, 53, 54 und 57 | Motor compl. Pos. 50, 53, 54 und 57 | Moteur compl. Pos. 50, 53, 54 und 57 | Motore compl. Pos. 50, 53, 54 und 57 | 575500R12 |
| 51 | O-Ring | Locking ring | Joint torique | Guarnizione O-Ring | 060253 |
| 52 | Linsenschraube | Fillister head screw | Vis tête fraisée bombée | Vite a testa svasata con perno | 083134 |
| 55 | Zylinderschraube | Fillister head screw | Vis à tête cylindrique | Vite a testa cilindrica | 081123 |
| — | Planetengetriebe Pos. 49, 51, 52, 56, 58 – 67 | Planetary gear drive Pos. 49, 51, 52, 56, 58 – 67 | Engranaage planetaire Pos. 49, 51, 52, 56, 58 – 67 | Ingranaggio planetario Pos. 49, 51, 52, 56, 58 – 67 | 571235 |
| — | Pumpe kompl. Pos. 31, 32, 55, 68–76, 101 | Pump compl. Pos. 31, 32, 55, 68–76, 101 | Pompe compl. Pos. 31, 32, 55, 68–76, 101 | Pompa compl. Pos. 31, 32, 55, 68–76, 101 | 571220 |
| — | Schalter mit Leitung Pos. 78, 81 und 82 | Switch with cable Pos. 78, 81 and 82 | Interrupteur avec cable Pos. 78, 81 et 82 | Interruttore con cavo Pos. 78, 81 e 82 | 575528R |
| 79 | Blechschaube | Sheet metal screw | Vis à tôle | Vite da lamiera | 083064 |
| 80 | REMS Akku 12 V, 2,0 Ah Ni-Cd | REMS Akku 12 V, 2,0 Ah Ni-Cd | REMS Akku 12 V, 2,0 Ah Ni-Cd | REMS Akku 12 V, 2,0 Ah Ni-Cd | 571510R12 |
| 83 | Service-Elektronik | Electronic service control | Electronique de service | Servizio elettronico | 571530R |
| — | Ventil Steuerkolben Pos. 84–92 | Piston valve Pos. 84–92 | Soupape piston pilote Pos. 84–92 | Valvola cursore Pos. 84–92 | 571213R |
| 96 | Gewindestift | Grub screw | Vis sans tête | Perno filettato | 084072 |
| 98 | Senkschraube | Countersunk screw | Vis à tête fraisée | Vite a testa svasata | 083176 |